

**AUDIO**  
solutions™

# **MOUNTS**

FOR FLAT PANEL TV'S

FULL MOTION + TILTING + FIXED



**MORE THAN JUST GREAT SOUND™**

AUDIOSOLUTIONS.COM



## TV MOUNTS

MORE THAN JUST GREAT SOUND™



**AUDIO**  
**solutions™**

### AUDIO SOLUTIONS TV MOUNTS

Audio Solutions understands that today people are looking for products that will simplify their lives and provide an excellent value for their investment. Do-It-Yourself has become very popular in the past few years and at Audio Solutions we meet this need with a variety of easy to install TV mounts. It is this ability to stay ahead of the technology curve that makes Audio Solutions a leader in home theater technology.

# FULL MOTION

## FULL MOTION FLAT PANEL TV WALL MOUNTS



**22"-60"**

### **A FM2260 FULL MOTION**

Tilt Angle +5°/-15°  
Swivel Angle +/-90°  
Extension 80-600mm

**WEIGHT CAPACITY**  
143 Lbs.

**VESA COMPLIANT**  
100 X 100/200  
200 X 200/400  
400 X 400  
Can be Extended to  
600 x 400, 800 x 400

**MATERIAL**  
Heavy Gauge Steel

**INCLUDED**  
All Hardware  
Mounting Level



**26"-42"**

### **B FM2642 FULL MOTION**

Tilt Angle +5°/-30°  
Swivel Angle +/-90°  
Extension 80-500mm

**WEIGHT CAPACITY**  
66 Lbs.

**VESA COMPLIANT**  
100 X 100  
100 x 200  
200 x 200  
200 x 400

**MATERIAL**  
Heavy Gauge Steel

**INCLUDED**  
All Hardware  
Mounting Level



**26"-50"**

### **C EWFM2650 FULL MOTION WITH SAFETY LOCKS**

Tilt Angle +5°/-15°  
Swivel Angle +/-45°  
Extension 80-500mm

**WEIGHT CAPACITY**  
130 Lbs.

**VESA COMPLIANT**  
100x100  
200x200  
400x400  
600x600  
800x800

**MATERIAL**  
Heavy Gauge Steel

**INCLUDED**  
All Hardware  
Mounting Level

# FULL MOTION

## FULL MOTION FLAT PANEL TV WALL MOUNTS



**32"-42"**

**D FM3242  
FULL MOTION**

Tilt Angle +5°/-15°  
Swivel Angle +/-45°  
Extension 60-410mm

**WEIGHT CAPACITY**  
77 Lbs.

**VESA COMPLIANT**  
200 x 200  
200 x 400  
400 x 300  
400 x 400

**MATERIAL**  
Heavy Gauge Steel

**INCLUDED**  
All Hardware  
Mounting Level



**32"-60"**

**E FM3260  
FULL MOTION**

Tilt Angle +5°/-15°  
Swivel Angle +/-45°  
Extension 45-390mm

**WEIGHT CAPACITY**  
88 Lbs.

**VESA COMPLIANT**  
100 X 100  
100 x 200  
200 x 200  
200 x 400  
400 x 400  
600 x 400

**MATERIAL**  
Heavy Gauge Steel

**INCLUDED**  
All Hardware  
Mounting Level



**32"-60"**

**F AS-FM3260  
FULL MOTION  
WITH SAFETY LOCKS**

Tilt Angle +5°/-15°  
Swivel Angle +/-45°  
Extension 65-390mm  
*Works With Audio Mounts 3.1 & 2.1*

**WEIGHT CAPACITY**  
132 Lbs.

**VESA COMPLIANT**  
200 x 200  
200 x 400  
300 X 400  
400 x 400  
600 x 450

**MATERIAL**  
Heavy Gauge Steel

**INCLUDED**  
All Hardware  
Mounting Level



**LOW PROFILE**

**LOW PROFILE FLAT PANEL TV WALL MOUNTS**



**10"-26"**

**A LP1026 LOW PROFILE**

Distance to wall 10mm

**WEIGHT CAPACITY**  
33 Lbs.

**VESA COMPLIANT**  
75 x 75  
100 X 100

**MATERIAL**  
Heavy Gauge Steel

**INCLUDED**  
All Hardware  
Mounting Level



**26"-42"**

**B EWM1732 LOW PROFILE**

Distance to wall 19mm

**WEIGHT CAPACITY**  
77 Lbs.

**VESA COMPLIANT**  
75x75  
100x100  
200x200

**MATERIAL**  
Heavy Gauge Steel

**INCLUDED**  
All Hardware  
Mounting Level



**26"-42"**

**C LP2642 LOW PROFILE**

Distance to wall 26mm

**WEIGHT CAPACITY**  
100 Lbs.

**VESA COMPLIANT**  
100 X 100  
100 x 200  
200 x 200  
200 x 400  
300 x 400  
400 x 400

**MATERIAL**  
Heavy Gauge Steel

**INCLUDED**  
All Hardware  
Mounting Level



# LOW PROFILE

## LOW PROFILE FLAT PANEL TV WALL MOUNTS



**30"-50"**

**D LP3050  
LOW PROFILE**

**WEIGHT CAPACITY**

88 Lbs.

**VESA COMPLIANT**

100 X 100  
100 x 200  
200 x 200  
200 x 400  
400 x 400  
600 x 400

**MATERIAL**

Heavy Gauge Steel

**INCLUDED**

All Hardware  
Mounting Level

**30"-50"**

**E LP3050-E  
LOW PROFILE**

**WEIGHT CAPACITY**

99 Lbs.

**VESA COMPLIANT**

100 X 100  
100 x 200  
200 x 200  
200 x 400  
400 x 400  
600 x 400

**MATERIAL**

Heavy Gauge Steel

**INCLUDED**

All Hardware  
Mounting Level

**32"-60"**

**F LP3260  
LOW PROFILE**

Distance to wall 30mm

**WEIGHT CAPACITY**

132 Lbs.

**VESA COMPLIANT**

200 x 200  
200 x 400  
400 x 400  
600 x 400

**MATERIAL**

Heavy Gauge Steel

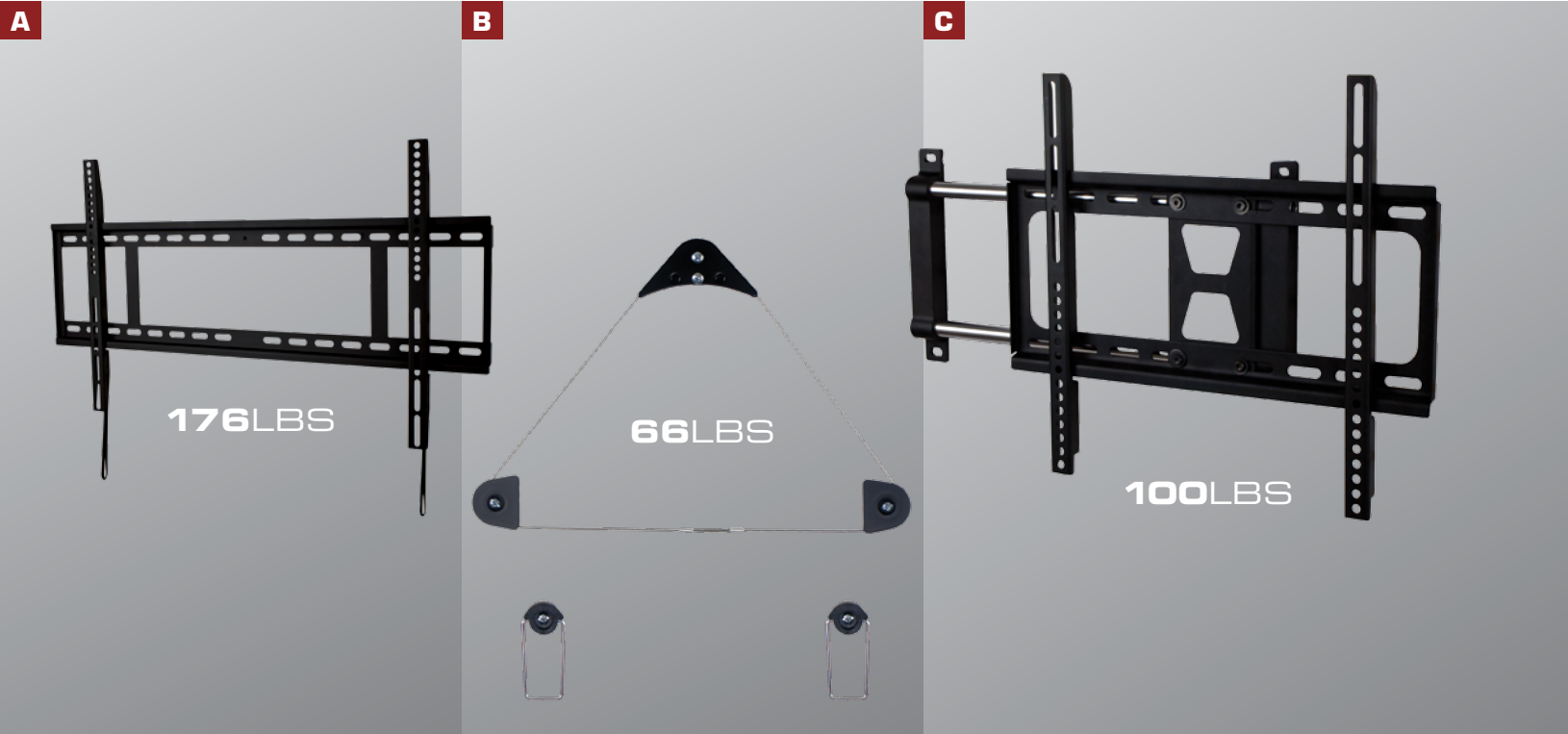
**INCLUDED**

All Hardware  
Mounting Level



# LOW PROFILE

## LOW PROFILE FLAT PANEL TV WALL MOUNTS



**47"-65"**

**A LP3265  
LOW PROFILE**

Distance to wall 30mm

**WEIGHT CAPACITY**

176 Lbs.

**VESA COMPLIANT**

- 200 x 200
- 200 x 400
- 400 x 400
- 600 x 400
- 800 x 400

**MATERIAL**

Heavy Gauge Steel

**INCLUDED**

All Hardware  
Mounting Level



**15"-37"**

**B SC1537  
WIRE HANGING**

Heavy Duty Wire Hangers

**WEIGHT CAPACITY**

66 Lbs.

**VESA COMPLIANT**

- 100 X 100
- 100 x 200
- 200 x 200
- 200 x 400
- 400 x 400

**MATERIAL**

Heavy Gauge Wire

**INCLUDED**

All Hardware  
Mounting Level



**26"-42"**

**C SM2642  
SLIDING**

Slide Distance (0-280mm)

Low Profile Design

**WEIGHT CAPACITY**

100 Lbs.

**VESA COMPLIANT**

- 200 x 200
- 200 x 400
- 400 x 400

**MATERIAL**

Heavy Gauge Steel

**INCLUDED**

All Hardware  
Mounting Level



# FIXED

## FIXED FLAT PANEL TV WALL MOUNTS



77LBS

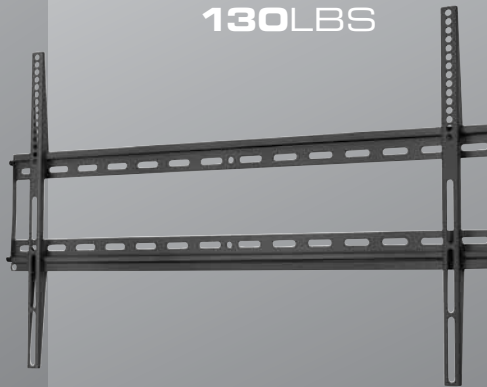
D



165LBS

E

F



130LBS

26"-42"

**D F2642  
FIXED**

Distance to wall 15mm

**WEIGHT CAPACITY**

77 Lbs.

**VESA COMPLIANT**

200 x 200

200 x 400

400 x 400

**MATERIAL**

Heavy Gauge Steel

**INCLUDED**

All Hardware

Mounting Level



26"-50"

**E EWM3760  
FIXED**

Distance to wall 25mm

**WEIGHT CAPACITY**

130 Lbs.

**VESA COMPLIANT**

100x100

200x200

300x300

400x400

500x500

**MATERIAL**

Heavy Gauge Steel

**INCLUDED**

All Hardware

Mounting Level



47"-65"

**F EWEM3755  
FIXED**

Distance to wall 31.75mm

**WEIGHT CAPACITY**

165 Lbs.

**VESA COMPLIANT**

100x100

200x200

300x300

400x400

500x500

**MATERIAL**

Heavy Gauge Steel

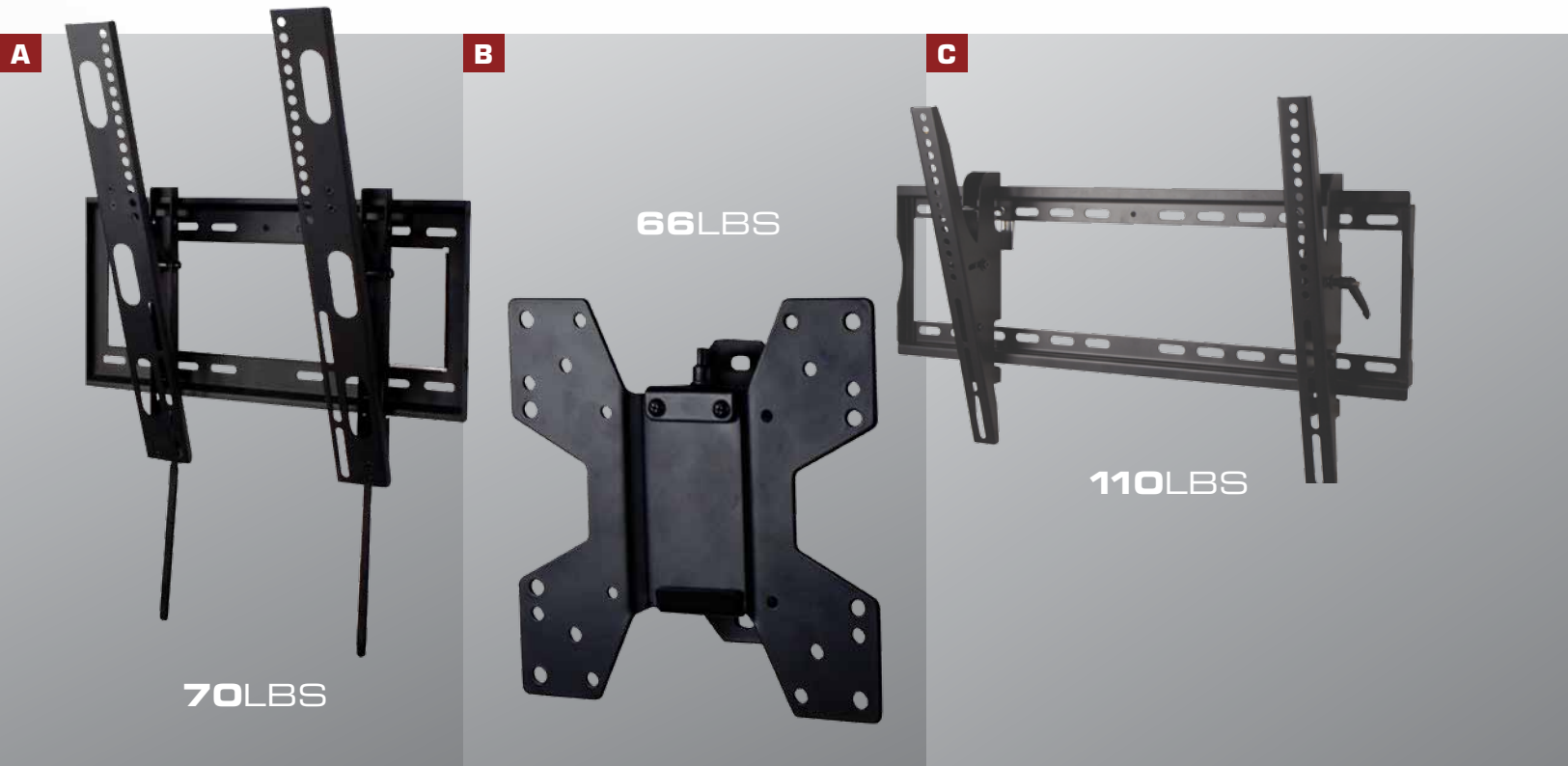
**INCLUDED**

All Hardware

Mounting Level

**TILT**

**TILTING FLAT PANEL TV WALL MOUNTS**



**26"-42"**

**A T2642  
TILT**

Tilt Angle +0°/-20°  
Distance to wall 25mm

**WEIGHT CAPACITY**  
70 Lbs.

**VESA COMPLIANT**  
100 X 100  
100 x 200  
200 x 200  
200 x 400

**MATERIAL**  
Heavy Gauge Steel

**INCLUDED**  
All Hardware  
Mounting Level



**26"-42"**

**B T2642-E  
TILT**

Tilt Angle +0°/-15°  
Distance to wall 55mm

**WEIGHT CAPACITY**  
66 Lbs.

**VESA COMPLIANT**  
100 X 100  
100 x 200  
200 x 200

**MATERIAL**  
Heavy Gauge Steel

**INCLUDED**  
All Hardware  
Mounting Level



**32"-60"**

**C T3260  
TILT**

Tilt Angle +5°/-15°  
Distance to wall 70mm

**WEIGHT CAPACITY**  
110 Lbs.

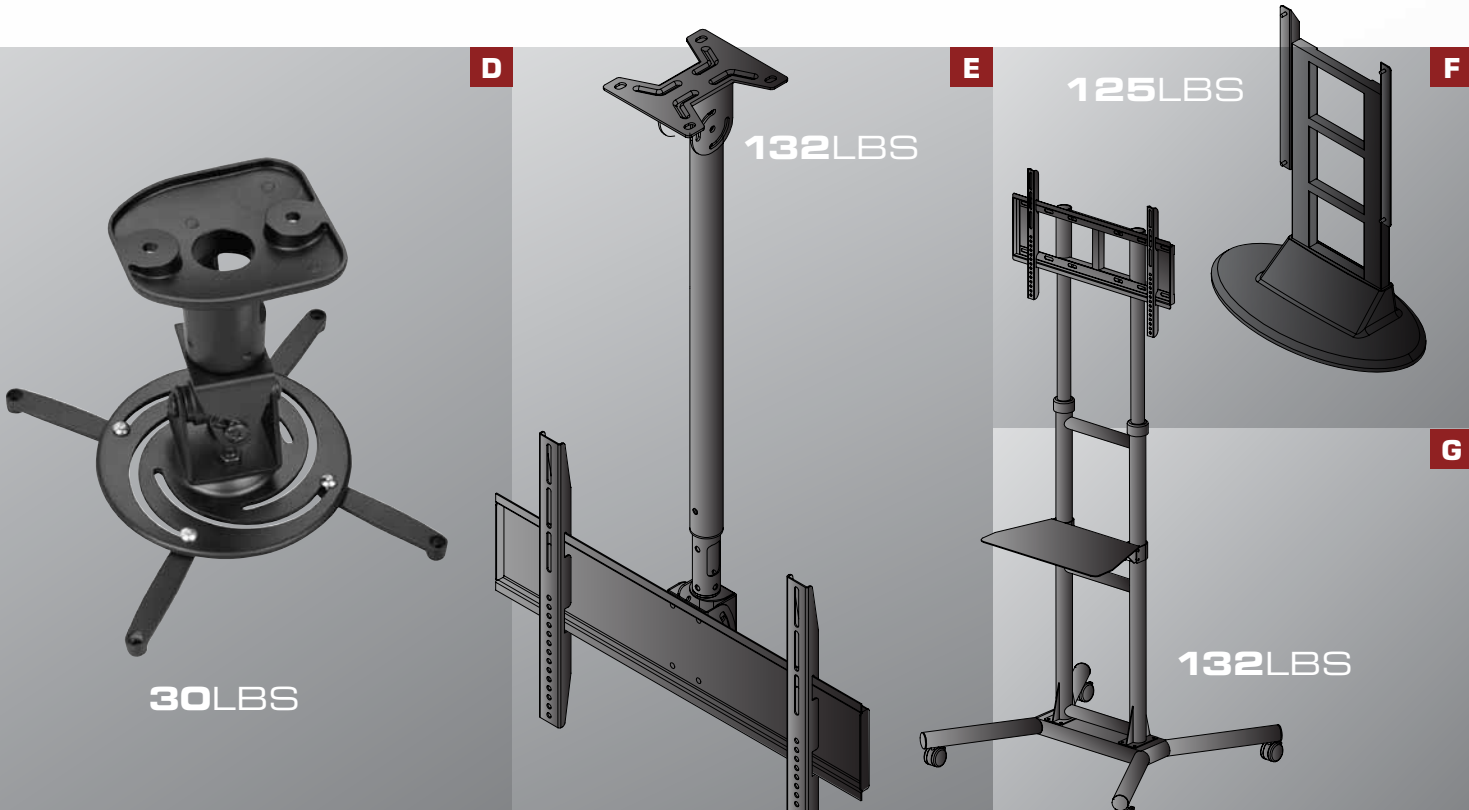
**VESA COMPLIANT**  
200 x 200  
200 x 400  
400 x 400

**MATERIAL**  
Heavy Gauge Steel

**INCLUDED**  
All Hardware  
Mounting Level



**CEILING & CART FLAT PANEL TV WALL MOUNTS**



**PROJECTOR**

**D EPM-UNI CEILING**

Tilt Angle +/-30°  
Rotary Angle 360°

**WEIGHT CAPACITY**  
30 Lbs.

**MATERIAL**  
Heavy Gauge Steel

**INCLUDED**  
All Hardware  
Mounting Level

**32"-60"**

**E AS-CM3260 CEILING**

Tilt Angle +5°/-15°  
Rotary Angle +/-180°  
Height Adjustable 800-1500mm

**WEIGHT CAPACITY**  
132Lbs.

**VESA COMPLIANT**  
200 X 200  
400 X 400  
600 X 480

**MATERIAL**  
Heavy Gauge Steel

**INCLUDED**  
All Hardware  
Mounting Level



**32"-60"**

**F AS-TVAMPM PEDESTAL**

For use with Audio Solutions TV Audio Mounts (TVAM2-1 & TVAM3-1)

**WEIGHT CAPACITY**  
175 LBS

**DISPLAYWEIGHT CAPACITY**  
125 LBS

**32"-60"**

**G AS-RC3260 ROLLING CART**

Adjustable Height: 1200-1800mm  
132Lbs.

**VESA COMPLIANT**  
200 X 200, 400 X 400, 600 X 480  
Heavy Gauge Steel  
All Hardware Included





MORE THAN JUST GREAT SOUND™



0 86429 25279 4

AS-MNTCAT11

**866.839.9187**

**SALES@AUDIOSOLUTIONS.COM**

©2011 METRA ELECTRONICS CORPORATION  
460 WALKER STREET, HOLLY HILL, FL 32117-2699  
SPECIFICATIONS ARE SUBJECT TO CHANGE WITHOUT NOTICE.  
ALL TRADEMARKS ARE THE PROPERTY OF THEIR RESPECTIVE OWNERS.

**AUDIOSOLUTIONS.COM**